

Kinetico K5

Drinking Water Station

Installation Instructions



Thank you for choosing Kinetico to improve the quality of your water.

Since 1970 Kinetico Incorporated has designed and manufactured products to improve the quality of your water. Kinetico offers a complete line of quality water systems to solve your water problems. Pioneers in non-electric, demand operated water treatment, Kinetico continually sets the direction for the entire water quality industry. Our products are installed in hundreds of thousands of homes around the world.

Once you enjoy the benefits of your Kinetico K5 Drinking Water Station® we are sure you will agree that Kinetico Water Systems are the world's finest.

For more information about Kinetico:

visit **www.kinetico.co.uk**

call **0800 0151 380**

Kinetico UK Ltd

Bridge House, Park Gate Business Centre, Park Gate,
Hampshire SO31 1FQ

To make things nice and easy, this contents page is clickable.
Please click on a section to be taken directly to your chosen page.

Contents

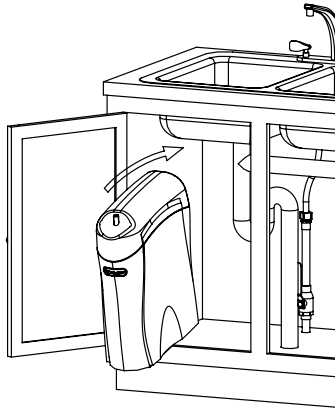
How to install your Kinetico K5	04
How to sanitise your Kinetico K5	12

Important: Booster pumps should not be used on any K5 system.

How to install your Kinetico K5

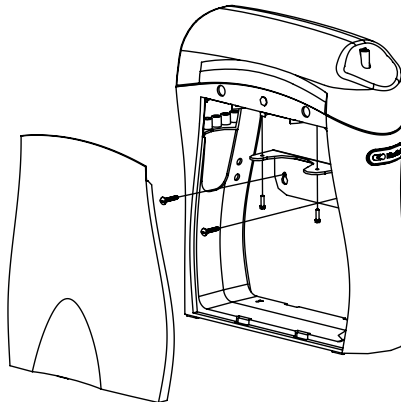
1a Unit placement:

Check if the unit will fit under the sink or...



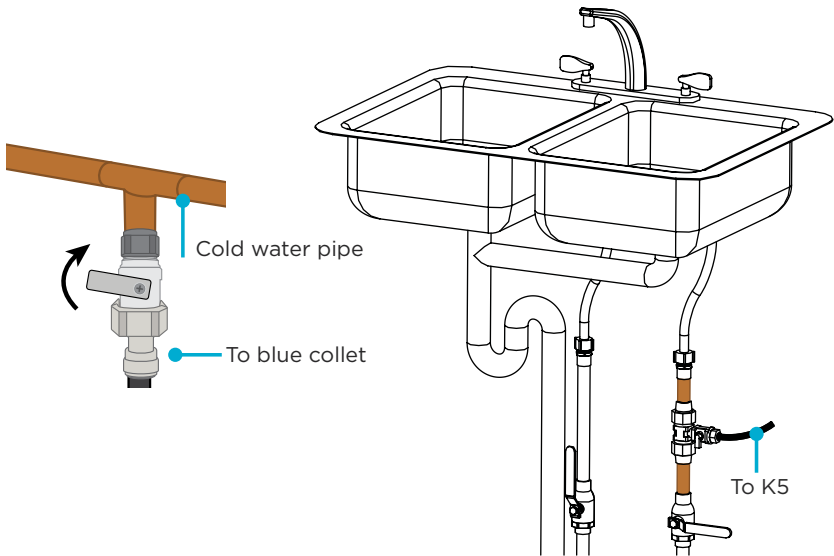
1b Unit placement:

Use the wall mounting bracket supplied separately.



2 Install 3/8" water supply:

Connect 3/8" supply pipe to water mains via isolation valve.



Please note:

Do not use self-piercing valves.

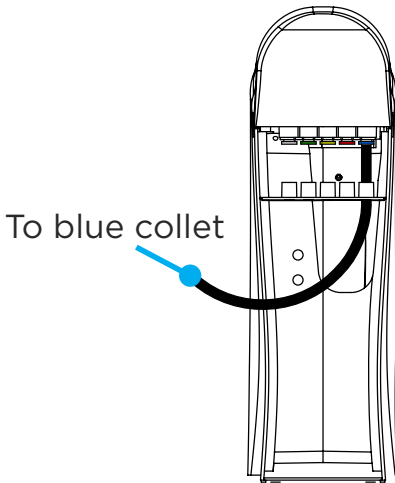
Installation must be in accordance with water bylaws and plumbing regulations.

Minimum feed water pressure 35 psi (2.5 bar).

3 Water supply connection:

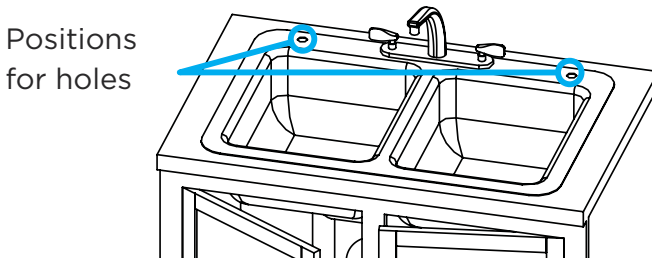
From left to right:

White, Green, Yellow, Red, Blue



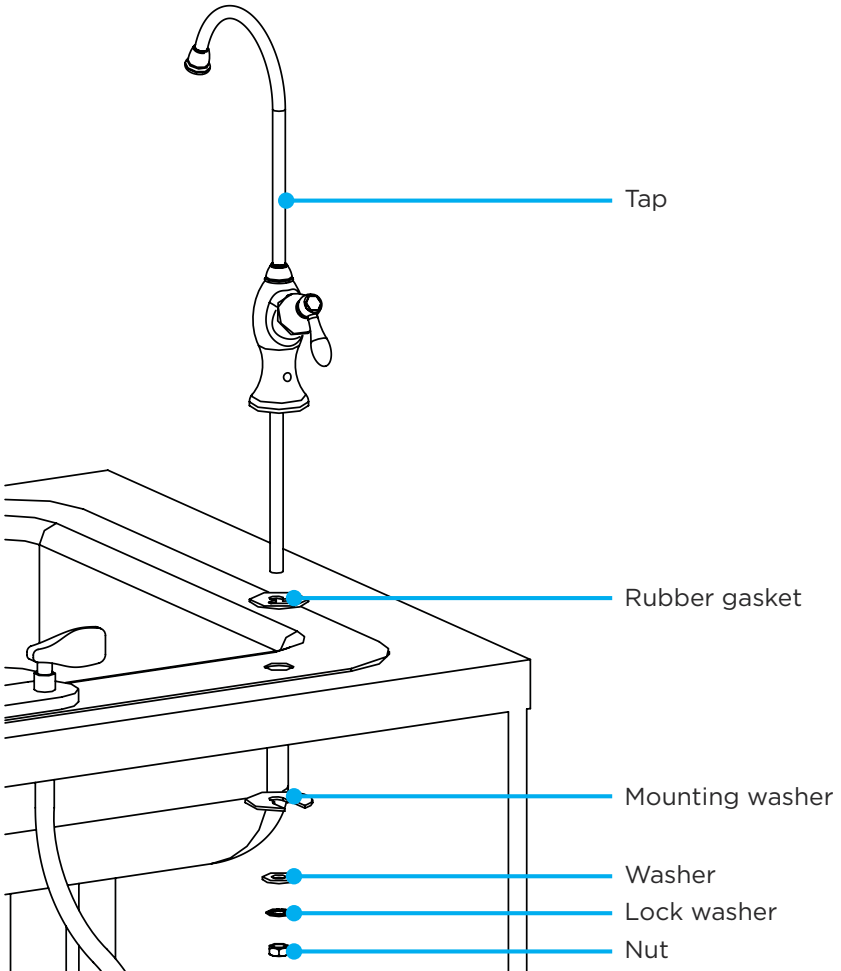
4 Tap mounting preparation:

Drill a tap mounting hole \varnothing 13mm in **one** of the following locations.



5 Tap installation:

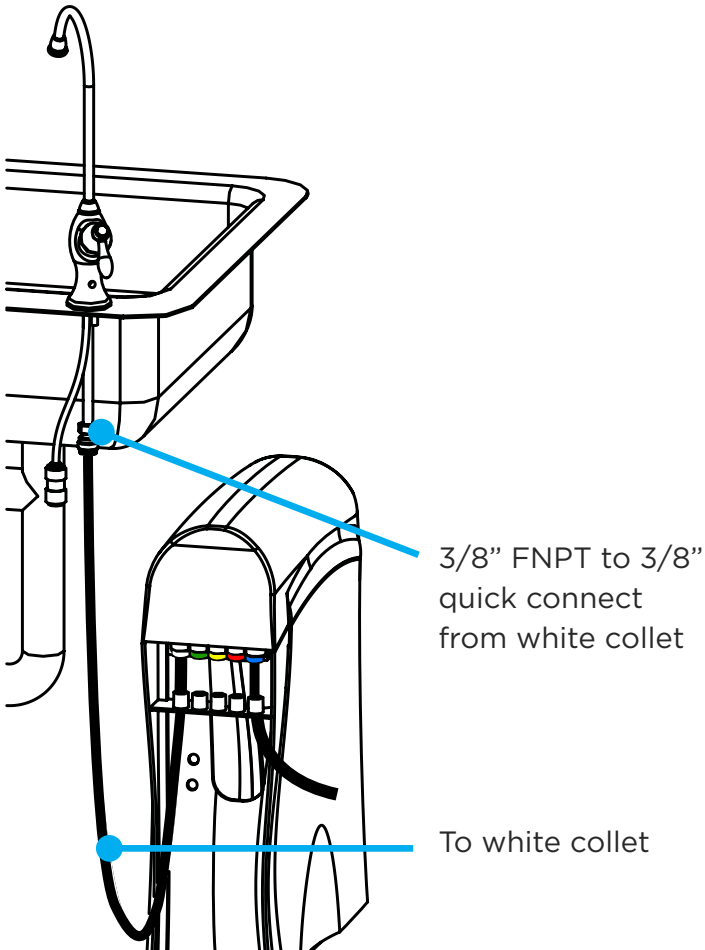
Install the tap.



6 Connect tap to unit:

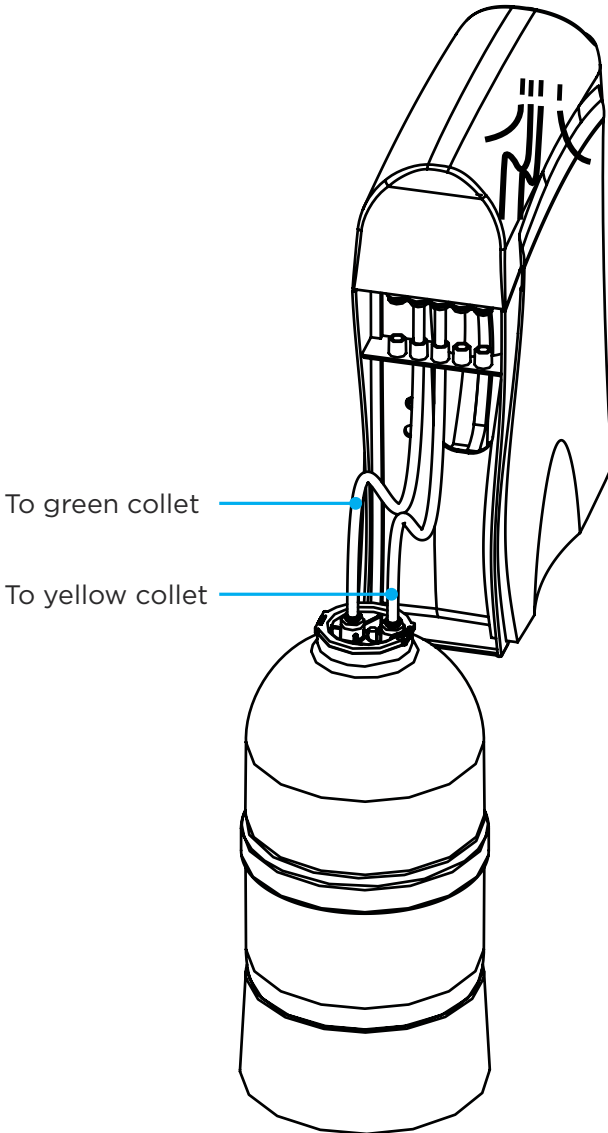
Please note: Do not use cooper pipework on the outlet supply of the K5.

Contact your Authorised Kinetico Dealer for more 3/8" tubing.



7a Install the tank - Option A:

Either: Install the Water Over Water tank.

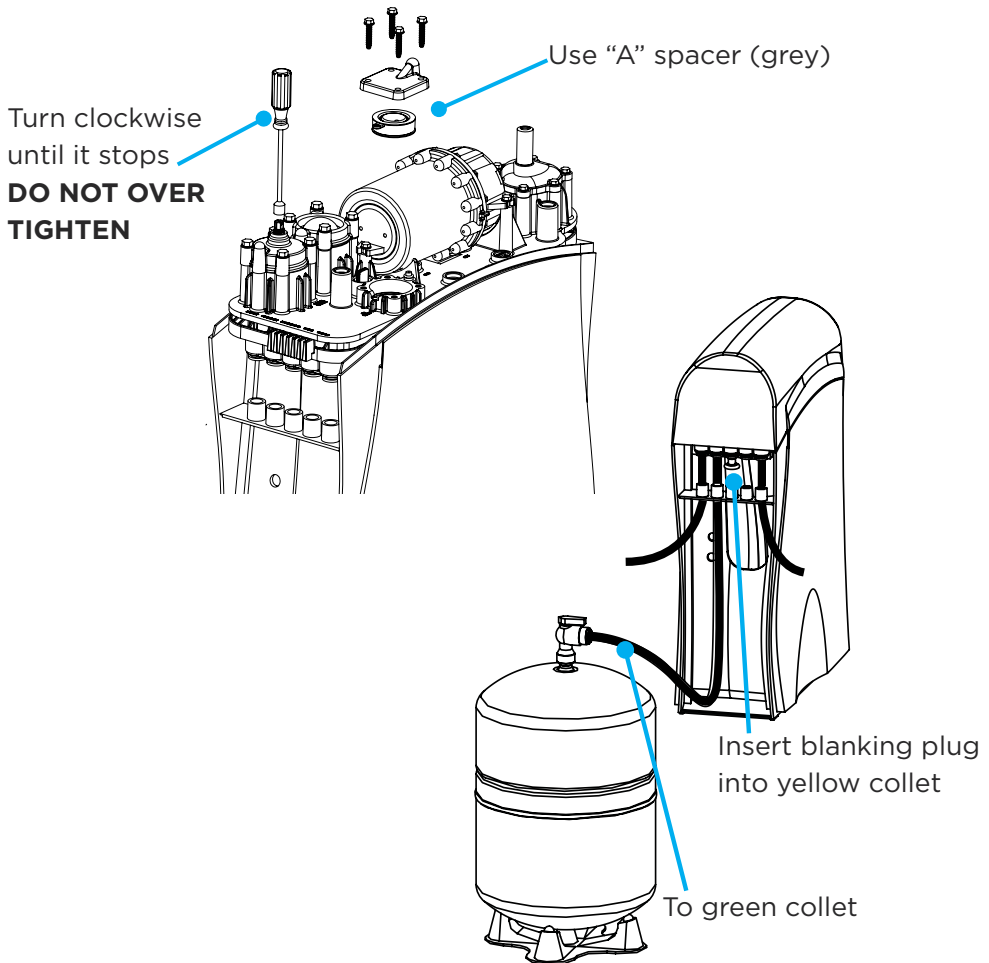


7b Install the tank - Option B:

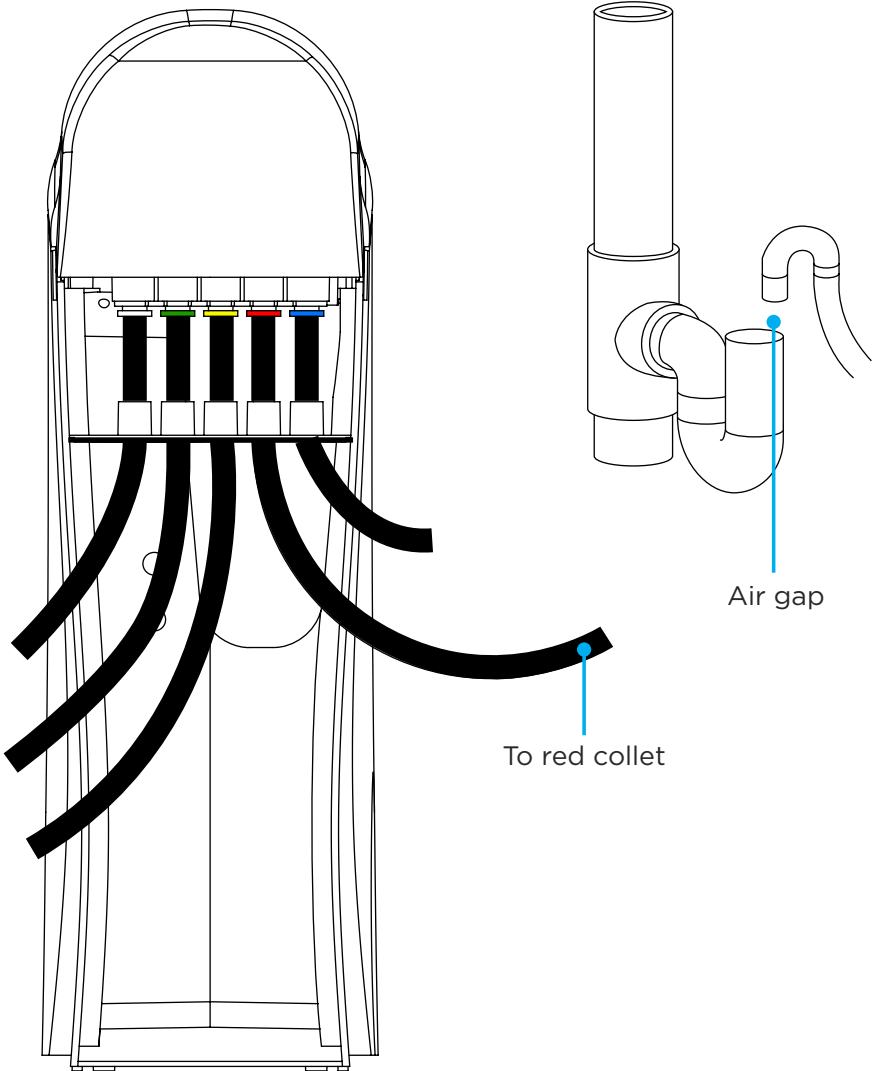
OR: Install the Air Charge tank.

Insert a blanking plug into yellow collet, follow the instructions below to change the 'spacer' and attach the tank to the green collet.

Please note: Spacer may already be fitted



8 Install the drain:



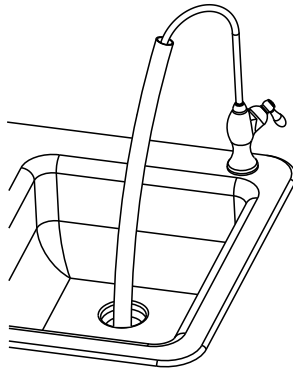
Please note:

Consult WRAS guidance note on air gap connections.

How to sanitise your Kinetico K5

1 Attach a pipe:

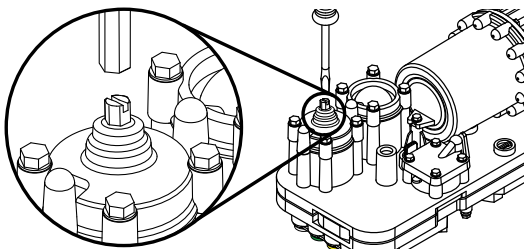
This will avoid any spray.



2 Ensure 'Jack Screw' is closed:

Using a flat headed screwdriver or a 1/4" Driver, ensure the 'Jack Screw' is closed.

Turn clockwise until stiff.

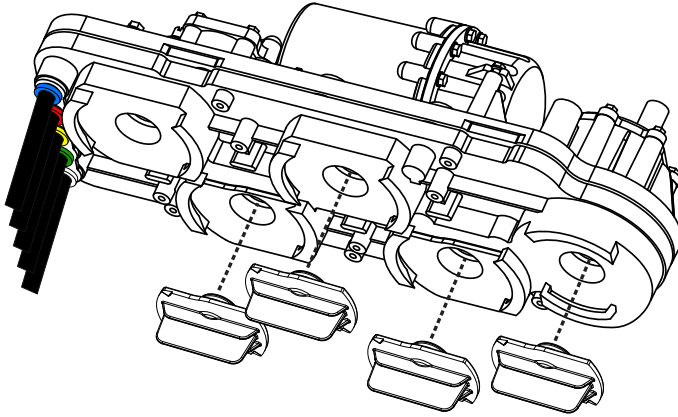


Please note:

Take care not to overtighten.

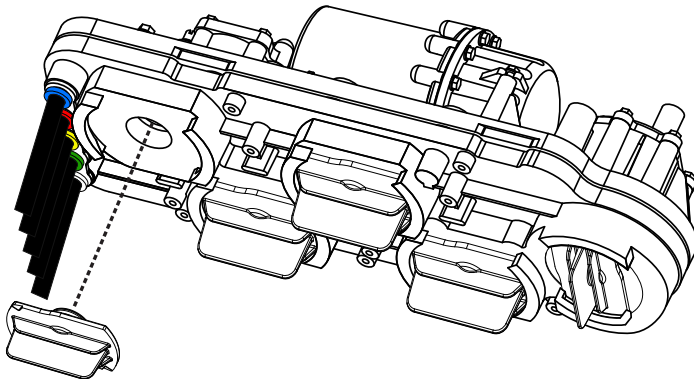
3 Install cartridge plugs into all locations - expect the pre filter:

To install, add silicone to each plug then push plug into position and turn 90° clockwise.



4 Add a crushed chlorine dioxide tablet:

Crush a chlorine dioxide tablet whilst in its packet, then pour into a plug and install in prefilter location

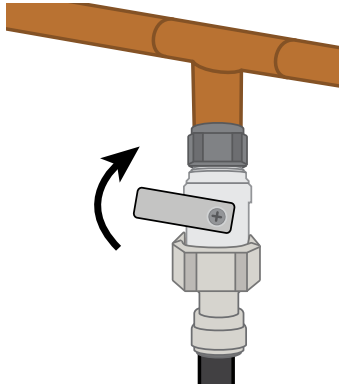


Important:

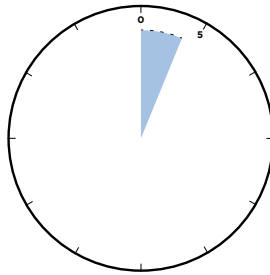
Safety glasses and rubber/latex gloves must be worn during sanitisation

5 Slowly open the inlet valve:

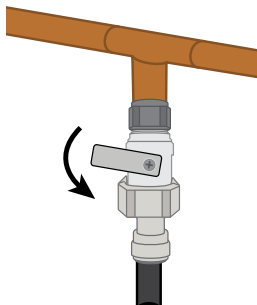
This will allow the unit to fill.



6 Wait 4 minutes:

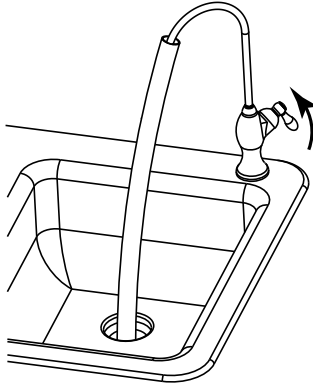


7 Close the inlet valve:



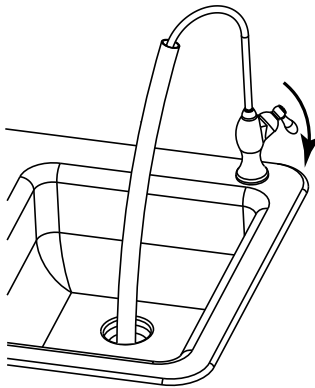
8 Slowly open the tap:

This will depressurise the system. It does not need to be opened fully.



9 Close the tap:

Close only when air and water have stopped coming out.

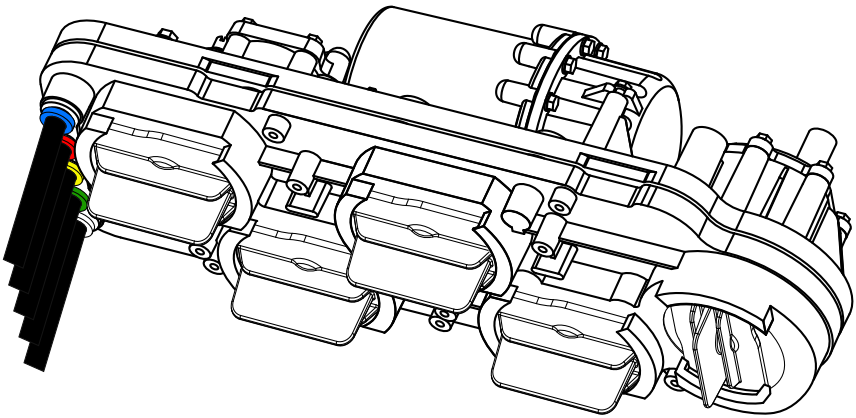


10 Repeat step 4 - Add a crushed chlorine dioxide tablet:

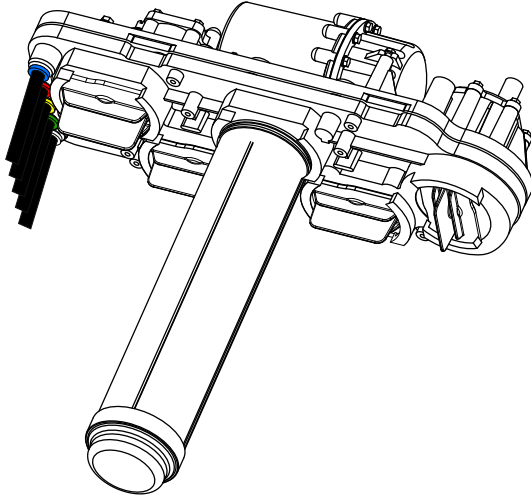
Crush a chlorine dioxide tablet whilst still in its packet.

Remove the prefilter plug. Take care as there may still be remains of the tablet.

Pour crushed tablet into a plug and reinstall.

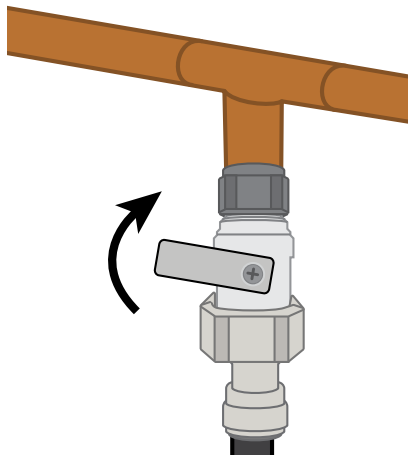


11 Remove plug from membrane port and install membrane cartridge:

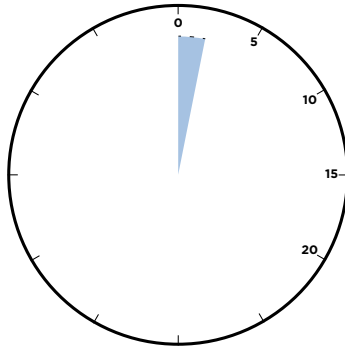


12 Slowly open the inlet valve:

This will allow the unit to fill.

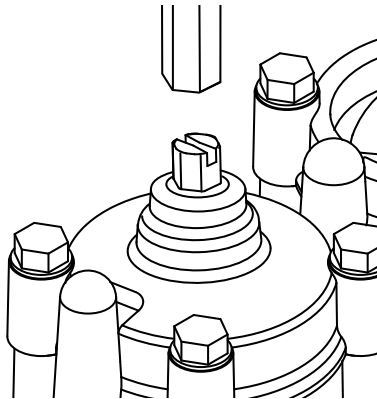


13 Wait 2 minutes:



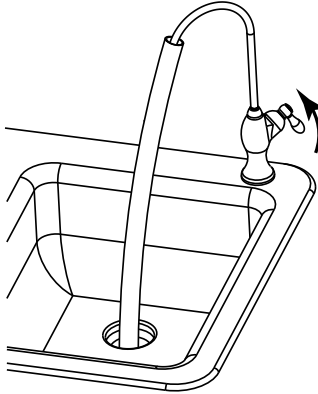
14 Open the 'Jack Screw':

Turn anti-clockwise to open.

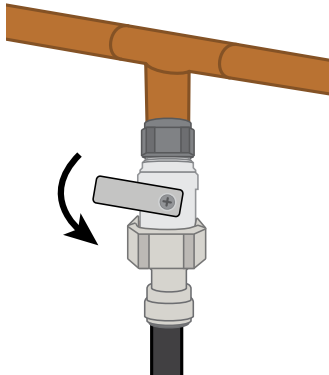


15 Open the tap:

Water will slow to a dribble. Leave the tap open.



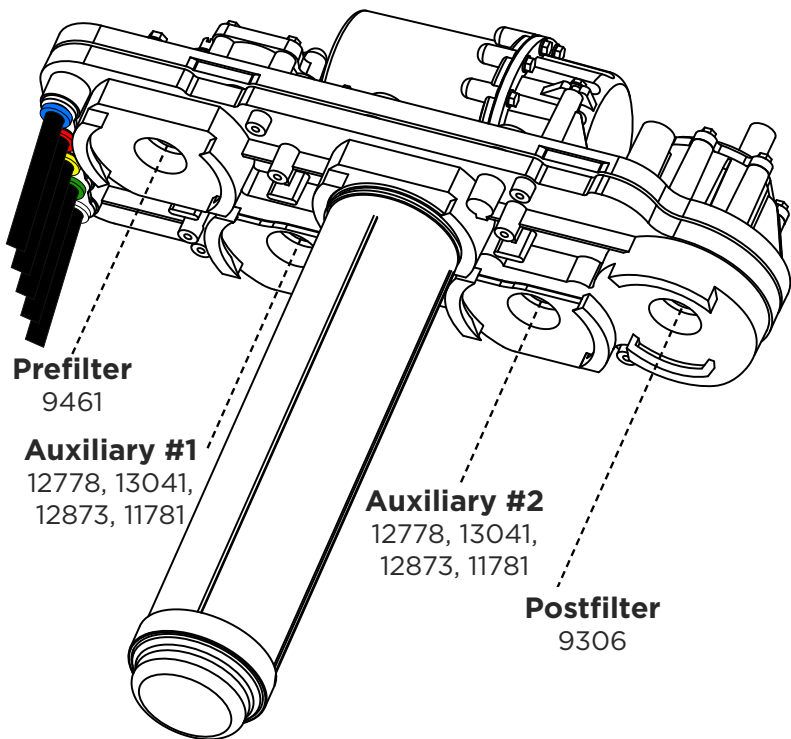
16 Close the inlet valve:



17 Install the new filters:

Note which filters need to be installed. Remove the appropriate plugs and install with new filters.

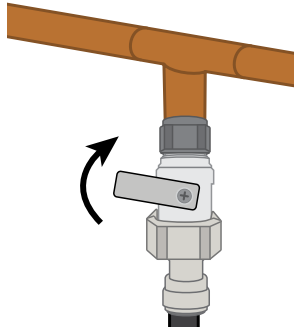
Filters must already be prepared according to their installation instructions.



Auxiliary Filters:
12778 - VOC Guard
12873 - Purefecta Guard
13041 - Mineral Plus
11781 - Arsenic

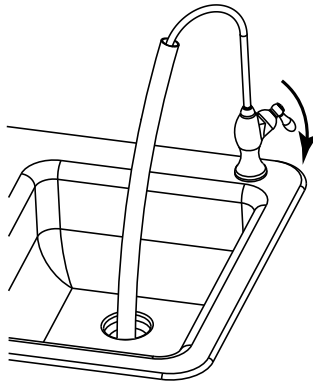
18 Open the inlet valve:

This will allow the unit to fill.



19 Close the tap:

Close when there is a steady trickle of water.



20 Drain the tank:

Leave for 2 hours and then open tap until the flow has diminished. This will empty the tank.

Close the tap, then repeat 2 hours later.

The unit is then ready for use.

Kinetico UK Ltd

Bridge House, Park Gate Business Centre, Park Gate,
Hampshire SO31 1FQ

0800 0151 380 | info@kinetico.co.uk

© Kinetico UK Ltd 2020. Kinetico reserves the right to amend details or specifications without notice. All trademarks are registered to Kinetico Incorporated, Newbury, Ohio.

P/N 15820A 2.0/10