



premier

MAXI



Water Softener

Installation and User Manual



visit www.kinetico.co.uk

To make things nice and easy, this contents page is clickable. Please click on a section to be taken directly to your chosen page.

Contents

Safety information	3
Pre-installation check list	5
Installation instructions	7
Review	12
Commissioning instructions	13

Safety information

Read all information carefully prior to installing and using the water softener.

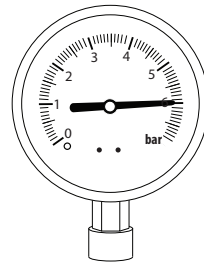
Qualified Installer



INSTALLER

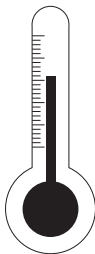
Kinetico recommends that a qualified installer performs the installation. Failure to do so could invalidate the Limited Warranty.

Water Pressure



Do not install if the supply water pressure exceeds 6 BAR (87 psi), unless a suitable pressure regulating valve has been installed.

Water Temperature



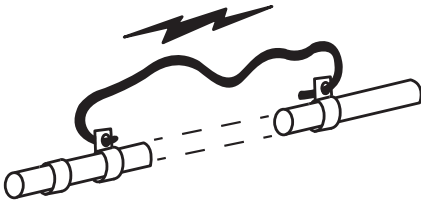
Do not install in an area where the water temperature can exceed 35°C or cause the unit to freeze.

Overflow

VERY IMPORTANT:

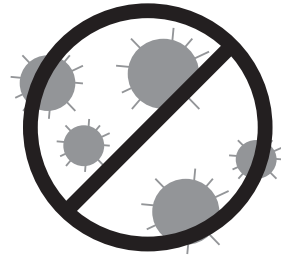
Where a cabinet overflow could cause damage, you must install a 1/2" I.D. hose to the barbed fitting on the cabinet and run to a suitable outlet that is visible and capable of taking the overflow (i.e. through the outside wall). Make sure the hose does not go higher than the barbed fitting as the water will flow away using gravity.

Copper/Plastic Pipework



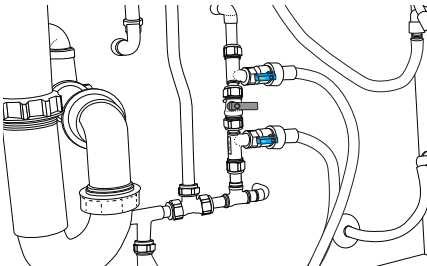
Where copper and plastic pipework is used, Kinetico advises adherence to the regulatory requirements to ensure adequate earth bonding is provided.

Intended Use



Not intended to be used for treating water that is micro-biologically unsafe or of an unknown quality, without adequate disinfection before or after the system.

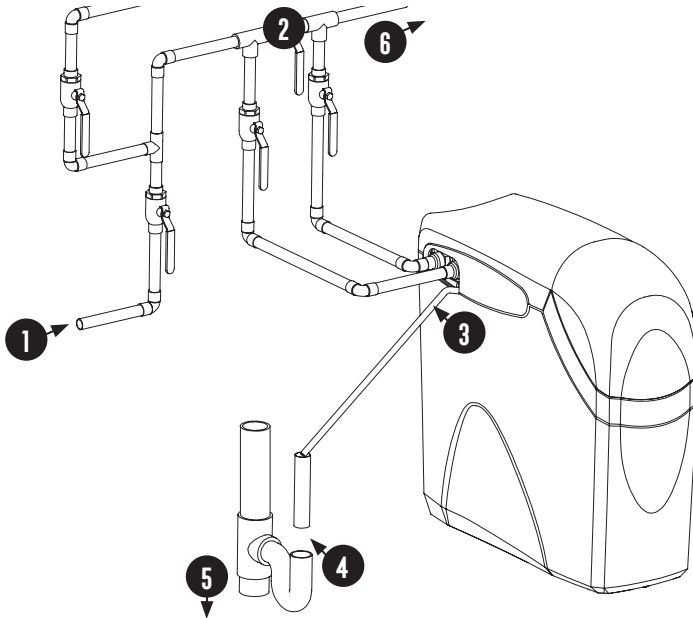
Plumbing Schematic



Please refer to the plumbing schematic on page 8 before commencing an installation.

Pre-installation check list

When determining the location of the softener, the following should be considered:



- 1** Cold water supply
- 2** By-pass assembly
- 3** 1/2" drain line
- 4** Air gap
- 5** To drain
- 6** Water to home

Dimensions

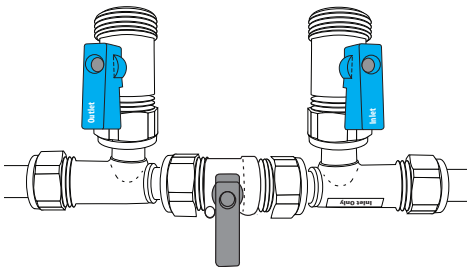
h 691mm x w 290mm x d 689mm
(Overflow on right hand side not shown.)

Installation will vary but should consist of:

- a:** A by-pass assembly which enables the softener to be isolated from the water supply for maintenance and service. This also maintains the water supply when disconnected.
 - b:** A non-return valve on the water main supply to the softener.
 - c:** An overflow run to a suitable outlet that is visible.
 - d:** A pressure regulating valve on the water supply to the softener where the incoming pressure exceeds 6 bar.
 - e:** A drain line from the softener to a waste pipe through an appropriate air gap. The drain must comply with the water regulations.
-

Ensure you have the following:

- a:** Means of constructing a by-pass which consists of:
 - 3 valves,
 - Tee pieces,
 - Single check valve



- b:** Connections for the inlet and outlet, either by means of flexible pressure rated hoses or by direct pipework.
Connections on the softener are 1" BSP male threaded fittings as standard.
- c:** 1/2" OD hose for the drain and jubilee clip to secure.
- d:** 1/2" ID hose for the overflow.

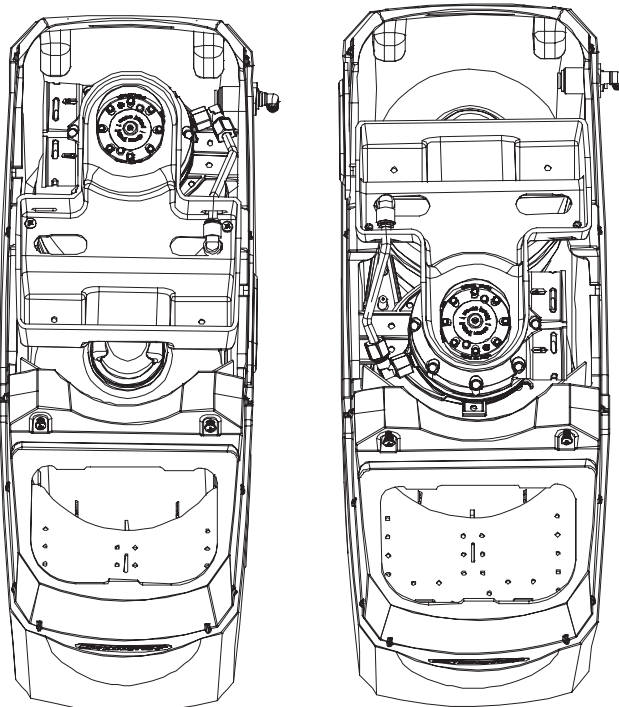
Installation instructions

1 Locate:

- a:** The unit must be positioned on a flat surface.
- b:** If sand, silt or turbidity is present in the water supply, a separate prefilter should be installed before the water softener.

Please note:

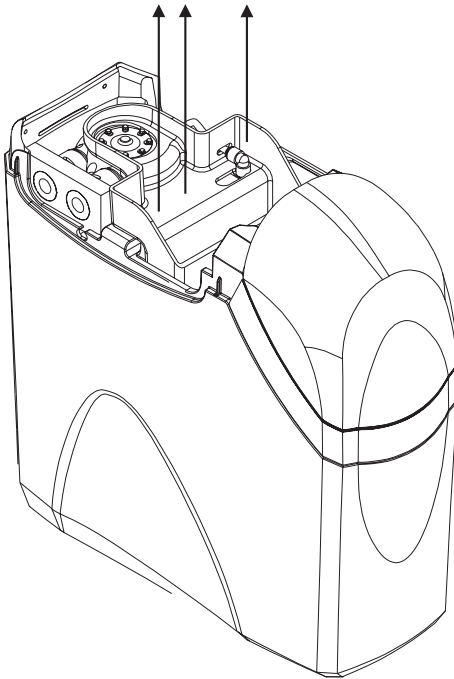
The softener can be installed with the connections on the left or right side of the cabinet by reversing the components.



2 Install drain line:

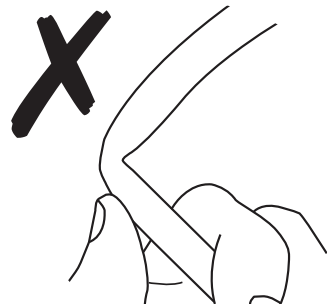
Run a drain line to a discharge point, checking for any kinks. FOLLOW REGIONAL WATER REGULATIONS.

- a:** Remove top lid and support bar.
- b:** Install 1/2" drain line to elbow and run to suitable air gap.
- c:** Reattach the support bar.



Please note:

Drain lines must not run more than 2.4m up or exceed a total of 9m. The drain line must not be restricted or kinked.

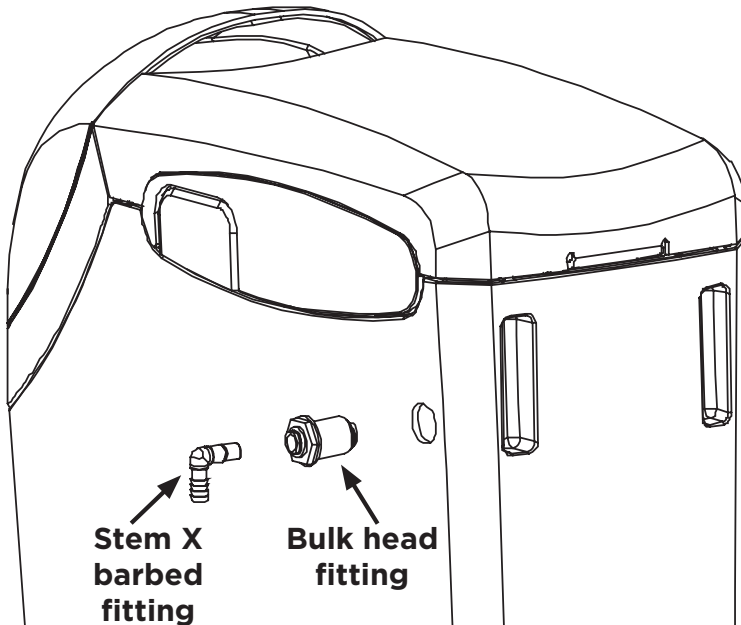


Caution:

Do not solder any fitting while connected to the unit adaptors. Care should be taken during the installation process to ensure solder and flux do not come in contact with any of the components.

3 Install overflow:

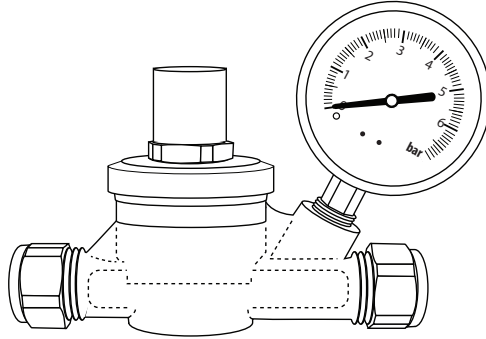
If a cabinet overflow could cause damage, run an overflow line to a suitable, visible outlet such as through an outside wall.



Make sure the pipe is not run higher than the fitting on the cabinet and is kink-free.

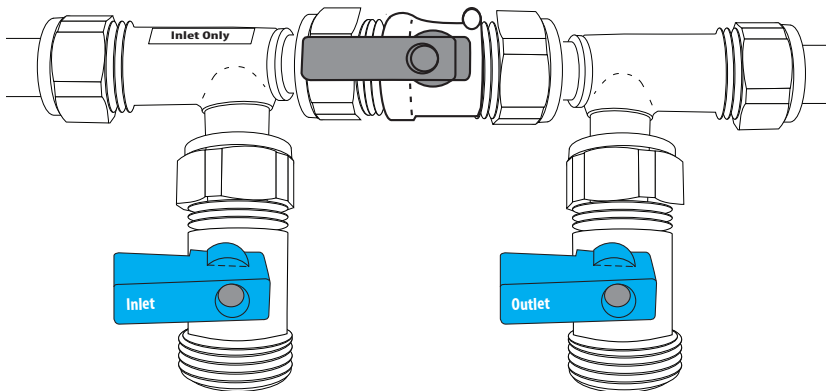
4 Test water pressure:

Test incoming pressure to the unit. A pressure regulating valve will be required if the pressure is above 6 bar.



5 Install:

Plumb pipework as necessary to accommodate a by-pass assembly



Please note:

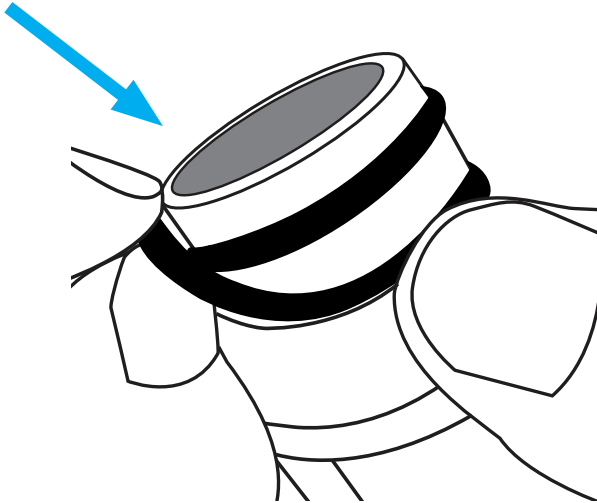
Verify installation complies with regional water regulations before continuing.

6 Flush:

After all the plumbing has been completed, but before connecting to the water softener, flush both inlet and outlet lines allowing water to rinse out any debris.

7 Fit in/out adapters:

a: Fit 2 o-rings to each in/out adaptor then lubricate with the supplied silicone grease.



- b:** Connect the inlet/outlet adapters to the supply and return hoses.
- c:** Install adapters into control valve in/out ports, ensuring that they are fitted into the correct ports (see flow arrows on valve for reference).
- d:** Attach the retaining bracket and pin to the control valve.

Review

1 Pressure:

Where a pressure regulating valve has been fitted, ensure it has been correctly set to 6 bar.

2 Drain line:

Ensure the drain line is securely attached, has no restrictions or kinks, uses an airgap and is fully compliant.

3 Overflow:

Ensure the overflow has no kinks, is securely attached and that water is able to fall away with gravity.

4 Inlet/Outlet Connections:

Ensure the hoses/plumbing are attached securely, using the screened washers provided, and are firmly held in place using the retaining bracket and pin.

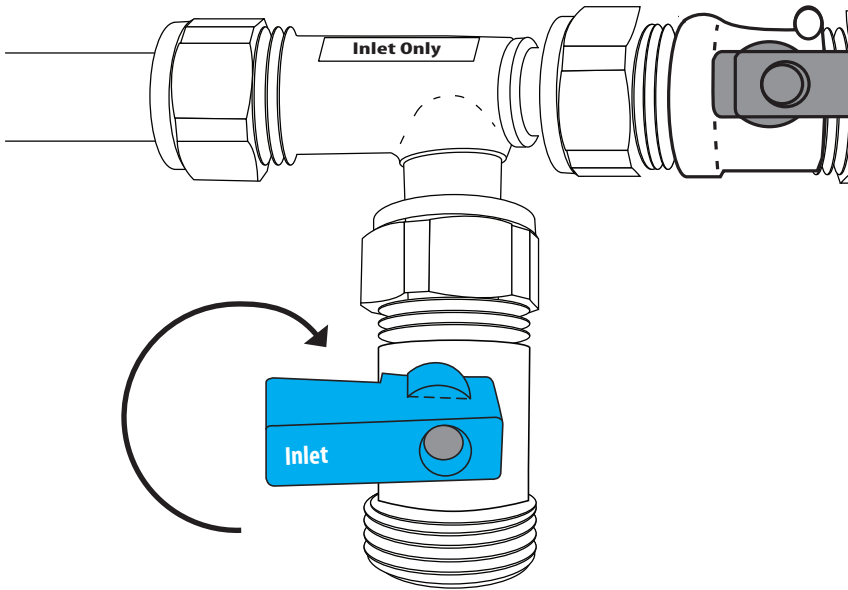
5 By-pass assembly:

Ensure the inlet and outlet valves are closed and that the by-pass valve is open.

Commissioning instructions

1 Open inlet valve:

Slowly open the inlet valve.

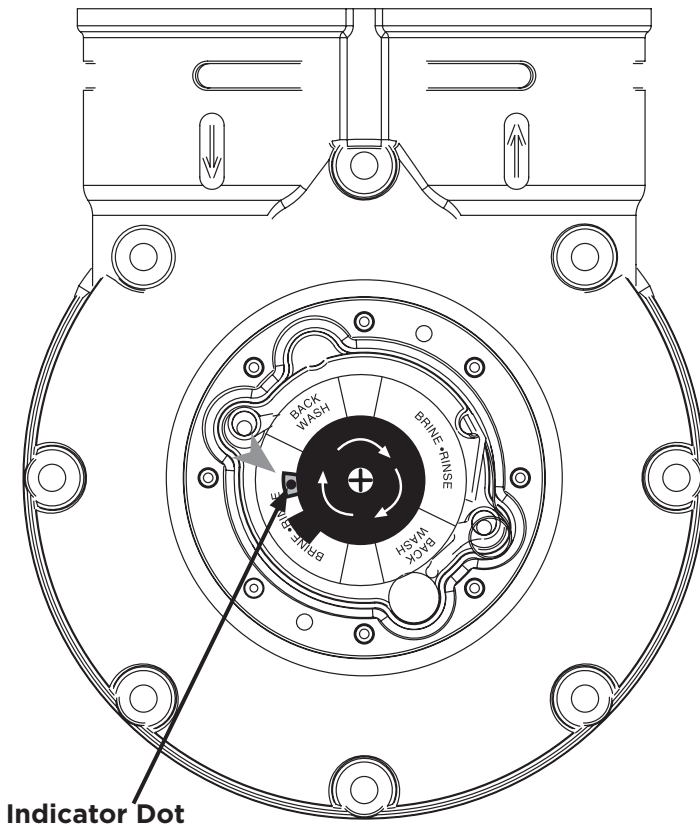


2 Fill the brine tank with water:

Allow the brine tank to fill with water until the brine tank valve shuts off. Water will run at the drain until the unit is fully pressurized.

3 Initiate a backwash:

- a:** Using a Phillips head screwdriver push down on the actuator, whilst slowly turning CLOCKWISE until the indicator dot reaches the “Backwash position”.
- b:** You will hear a rush of water and air going to the drain.
- c:** When the cycle has finished (approx 5 mins), repeat the procedure by turning the indicator dot to the second backwash section. Let the unit shut off automatically.



4 Add salt:

The water softener has been designed to accommodate tablet salt.

Tablet salt:

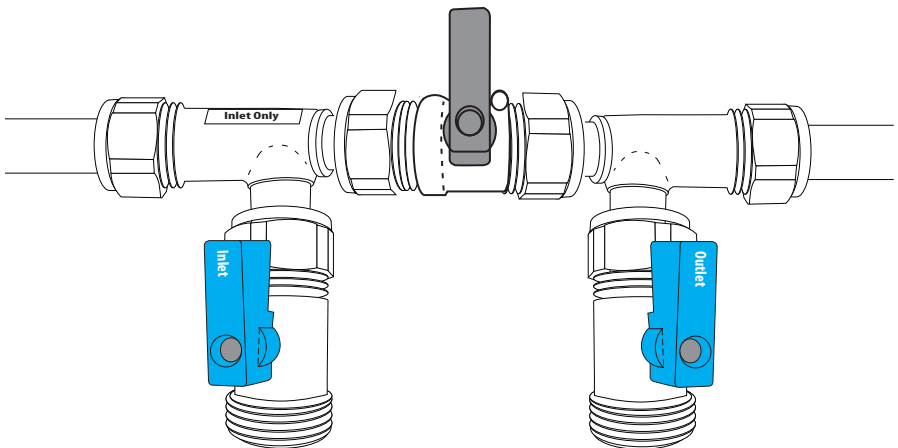
Simply pour into salt compartment.

IMPORTANT: Only use salt manufactured for use in water softeners.

Do not use rock or granular salt in your system. They contain impurities which can interfere with performance and would invalidate the Limited Warranty.

5 Put the softener into service:

- a:** After the unit has finished the second backwash and has pressurised, open the outlet valve and ensure the by-pass valve is closed.
- b:** Open a tap in the house to release trapped air from the lines and rinse out any debris.



6 Fit the lid:

Replace the lids and check plumbing for any leaks.

The installation is now complete.



Kinetico UK Ltd, Bridge House, Park Gate Business Centre, Park Gate, Hants SO31 1FQ

www.kinetico.co.uk

© Kinetico 2020.