

Super Soft

by Kinetico

Installation Instructions and User Manual



Thank you for choosing a **Supersoft** by Kinetico to improve the quality of your water.

You will immediately begin to notice the numerous benefits of having quality water throughout your home and the benefits of having a **Supersoft** Water Softener.

Since 1970 Kinetico Incorporated has designed and manufactured products to improve the quality of your water. Kinetico offers a complete line of quality water systems to solve your water problems. Pioneers in non-electric, demand operated water

treatment, Kinetico continually sets the direction for the entire water quality industry. Our products are installed in hundreds of thousands of homes around the world.

Once you enjoy the benefits of your **Supersoft** Water Softener we are sure you will agree that Kinetico Water Systems are the world's finest.

For more information about Kinetico;

Kinetico UK Limited Bridge House, Park Gate
Business Centre, Chandlers Way, Park Gate,
Hampshire SO31 1FQ

T: 01489 566 976
E: info@kinetico.co.uk
W: kinetico.co.uk

Contents

Safety information	04
Getting to know your softener	06
Pre-installation check list	07
Installation instructions	09
Setting the brine valve	15
Installation review	16
Startup instructions	17
Using your SuperSoft	18
Maintaining your water softener	21
Maintenance tips & FAQs	25
Specifications	26

Safety information

Read all information carefully prior to installing and using the water softener.

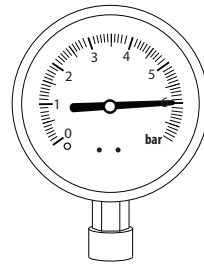
Qualified Installer



INSTALLER

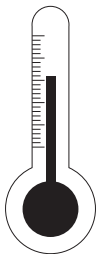
Kinetico recommends that a qualified installer performs the installation. Failure to do so could invalidate the Limited Warranty.

Water Pressure



Do not install if the supply water pressure exceeds 6 BAR (87 psi), unless a suitable pressure regulating valve has been installed.

Water Temperature



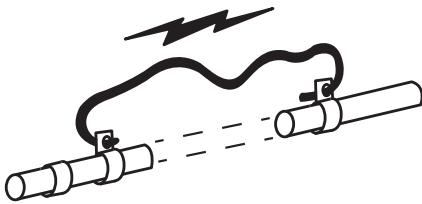
Do not install in an area where the water temperature can exceed 35°C or cause the unit to freeze.

Overflow

VERY IMPORTANT:

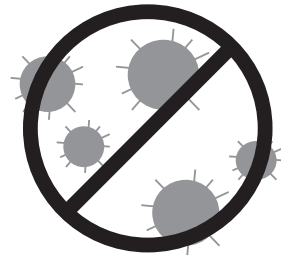
Where a cabinet overflow could cause damage, you must install a 1/2" I.D. hose to the barbed fitting on the cabinet and run to a suitable outlet that is visible and capable of taking the overflow (i.e. through the outside wall). Make sure the hose does not go higher than the barbed fitting as the water will flow away using gravity.

Copper/Plastic Pipework



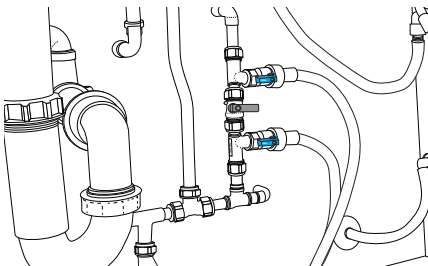
Where copper and plastic pipework is used, Kinetico advises adherence to the regulatory requirements to ensure adequate earth bonding is provided.

Intended Use



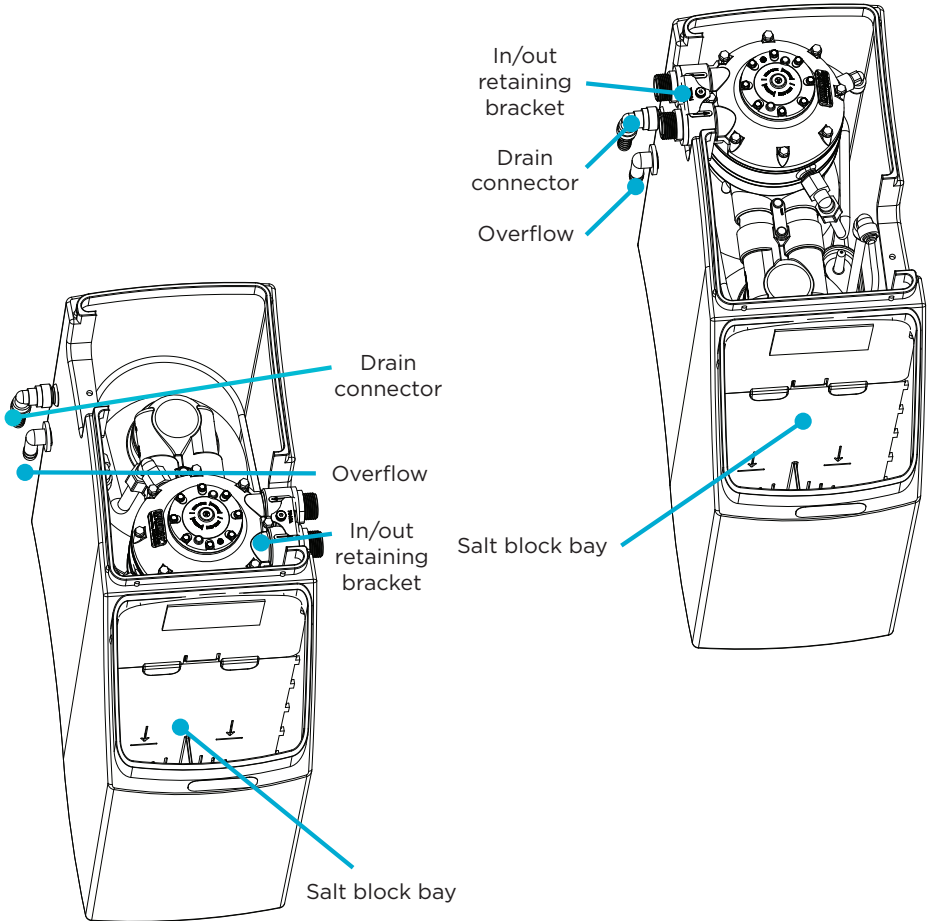
Not intended to be used for treating water that is microbiologically unsafe or of an unknown quality, without adequate disinfection before or after the system.

Plumbing Schematic



Please refer to the plumbing schematic on page 8 before commencing an installation.

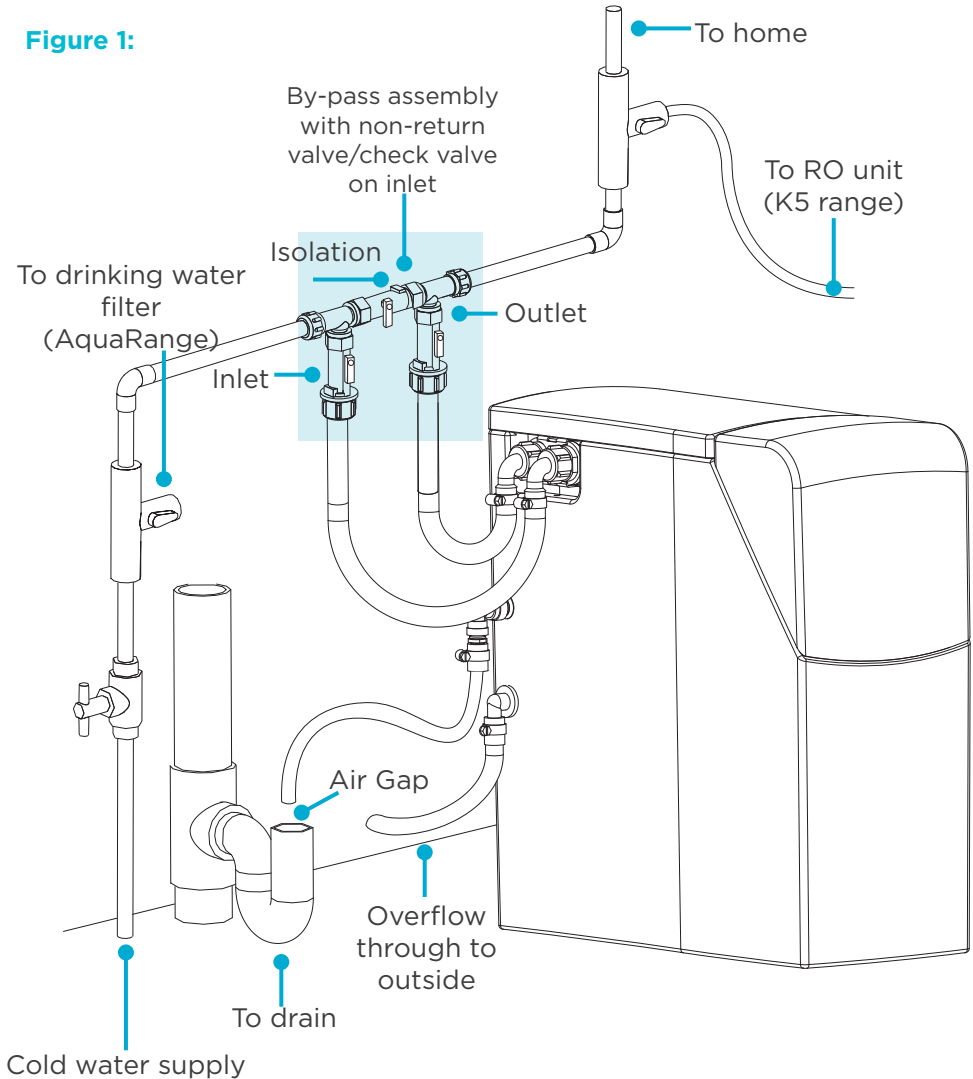
Getting to know the softener



Pre-installation check list

When determining the location of the softener, the following should be considered:

Figure 1:



IMPORTANT: Refer to the plumbing schematic in pre-installation before beginning installation.

NOTE:

There are two **SuperSoft** water softener models. Correct application will ensure you enjoy the full benefits of the water softener. If you are unsure of the correct model for your particular system, please contact your local stockist.

The **High Efficiency, SuperSoft (HE) Part No U0244** - ideal for vented systems (e.g. gravity tank).

The **High Flow, SuperSoft (HF) Part No U0245** - ideal for pressurised systems (e.g. mega flow, combi boiler).

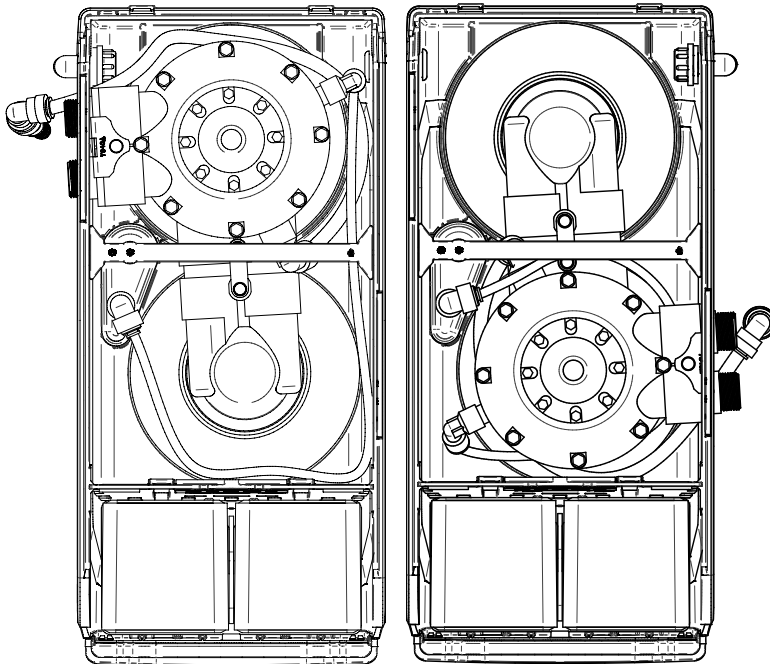
Installation instructions

1 Locate:

- a:** Ensure the unit can be positioned on a flat surface.
- b:** If sand, silt or turbidity is present in the water supply, a separate prefilter should be installed before the water softener.

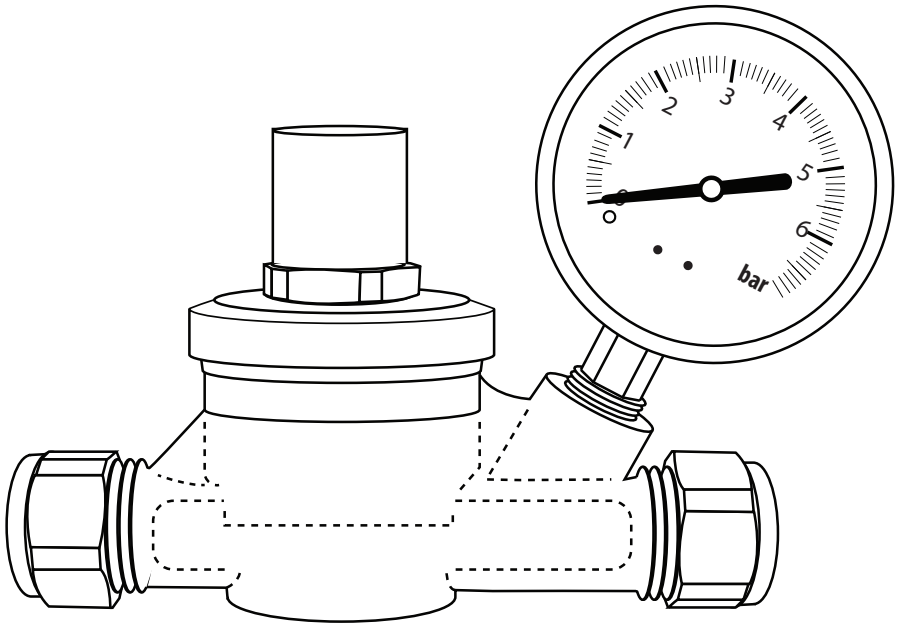
Please note:

The softener can be installed with the connections on the left or right side of the cabinet by reversing the components.



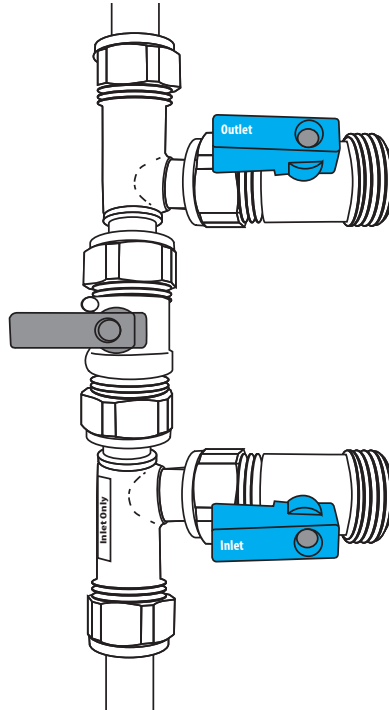
2 Test water pressure:

Test incoming pressure to the unit. **A pressure regulating valve will be required if the pressure is above 5 bar.**



3 Install:

Plumb pipework as necessary to accommodate a by-pass assembly.



CAUTION:

Do not solder any fitting whilst connected to the unit adaptors. Excessive heat may result in damage to the plastic and rubber parts. The materials used in the soldering process may attack certain types of plastics. Care should be taken during the installation process to assure that solder and flux do not come in contact with media tanks, the control module and related plastic components.

NOTE:

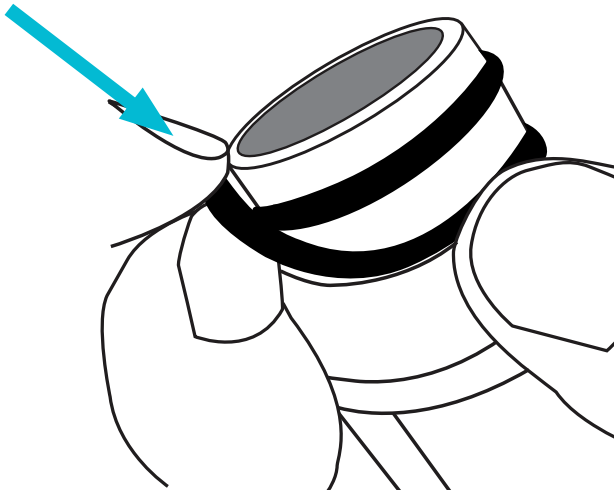
Verify installation complies with local plumbing codes before continuing.

4 Flush:

After all the plumbing has been completed, but before connecting the water softener, flush both inlet and outlet lines allowing water to rinse out any debris in the lines.

5 Fit in/out adapters:

- a:** Fit 2 o-rings to each in/out adaptor then lubricate with the supplied silicone grease.



- b:** Connect the inlet/outlet adapters to the supply and return hoses remembering to use the screened washers.
- c:** Install adapters into control valve in/out ports, ensuring that they are fitted into the correct ports (see flow arrows on valve for reference).
- d:** Attach the retaining bracket and pin to the control valve.

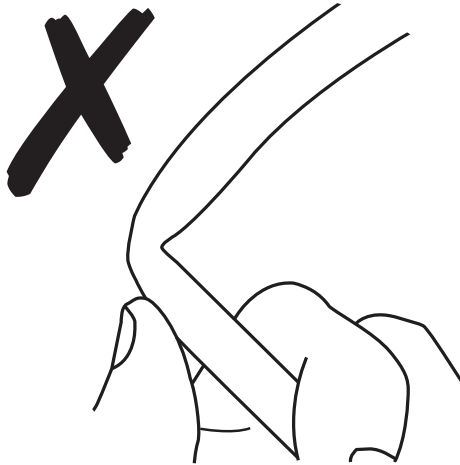
6 Decals:

Place the in/out and overflow decals (found in the pack included with system) on the side of the cabinet being used.

7 Run drain line:

a: Run a drain line to a discharge point, checking for any obstructions or possible kinks.

FOLLOW REGIONAL WATER REGULATIONS.



b: Before connecting the drain line to the unit, slide on the stainless steel jubilee clip.

c: Push the drain line onto the barbed fitting and tighten the jubilee clip securely.

NOTE:

Drain lines must not run more than 2.4m up or exceed a total of 9m. The drain line must not be restricted or kinked.

8 Remove Brine Valve:

Remove brine valve and adjust setting for the water hardness and meter disc being used (see page 16). Replace the brine valve and make sure the 1/4" brine line is secure and that the valve is sat firmly on the base of the unit.

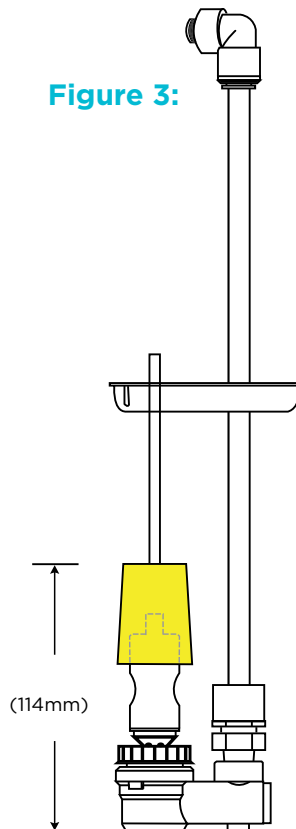
Setting the brine valve

The standard salt dosage for the SuperSoft is 0.3 kg salt. The brine valve is prepared in the factory to take account of this.

However, it is possible that the float may have moved during shipping and it is advisable to check the setting on each unit prior to installation.

1 SuperSoft 0.3kg brine valve setting:

Bottom of yellow float to be level with top of white plastic section giving 0.3kg salt.



Installation review

1 Test pressure:

Test incoming pressure to the unit and adjust pressure limiting valve if the pressure is above 5 bar.

2 Secure drain line:

Make sure the drain line is secure, uses an airgap and is fully compliant.

3 Main inlet valve:

With the by-pass in position (inlet closed, outlet closed, by-pass open), turn on the main inlet valve slowly and check for leaks in the plumbing.

4 Pressurising:

With the inlet valve open, allow the softeners to pressurize. Water may run to drain until the unit is fully pressurised.

5 Brine drum:

Allow the brine drum to fill with water until the brine valve shuts off. The water level should be approximately one inch over the grid plate.

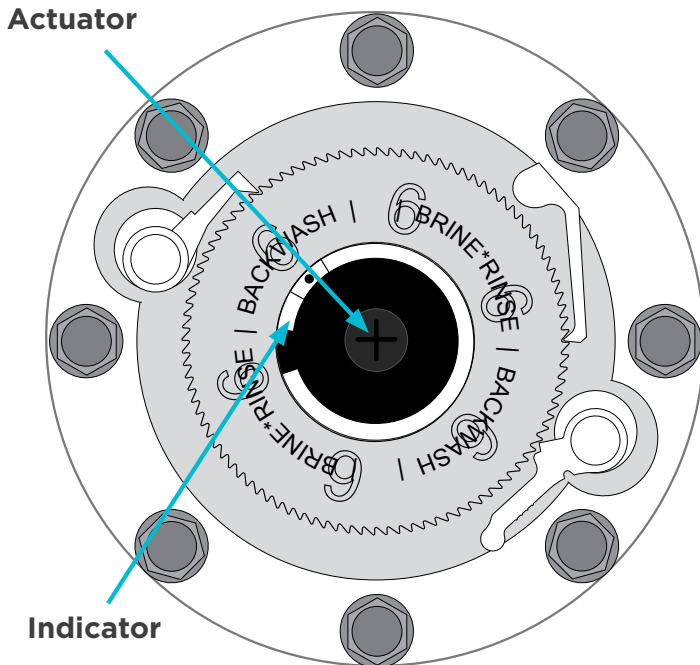
TIP:

If the cabinet does not fill with water, manually fill with 4 litres of mains water.

Startup instructions

1 Initiate a backwash:

- a:** Using a Phillips head screwdriver push down on the actuator, and slowly turn CLOCKWISE until the indicator dot reaches the letter W in the word “BACKWASH” on the clear cap.
- b:** You will hear a rush of water and air going to the drain.
- c:** When the cycle has finished (approx 4 mins), repeat the procedure, turn the indicator dot to the next backwash cycle and allow to finish (approx 4 mins).



NOTE:

After the unit is pressurized, open the outlet valve, ensure isolation valve is closed. Open a tap in the house to release trapped air from the lines.

Using your SuperSoft

Now that your SuperSoft is installed, you can enjoy the benefits of soft water throughout your home. If you are not accustomed to soft water, here are some helpful tips so you can gain the full benefit from your system:

Use pure soap products:

Most leading brands of laundry soaps, household cleaners and shampoos contain large amounts of detergent. The harsh chemicals in these detergents are necessary when using hard water, but you can reduce the amount you use or even eliminate them altogether with soft water.

We recommend you use pure soap products and clear liquid soaps without dyes.

If you continue to use your normal detergents, you should reduce the amount you use to suit your needs. Your local stockist can provide you with more information and recommend the correct detergent amounts.

Use less soap and household cleaners:

When using soap or cleaners with soft water, start by reducing the amount you normally use by half. You may even find you can use as little as a quarter of the amount you were using before. Hardness minerals in water interfere with the cleaning ability of soap. Once they are removed, soap can work better. Although you will use less soap, you will get more suds and cleaner results.

It's especially important to reduce the amount of washing detergent you use.

Washing clothes in soft water not only means you will need less detergent to get your clothes clean, but also that the detergent you do use will rinse out completely. Washing in soft water makes your clothes look brighter and whiter and they will last longer too.

After bathing in soft water, your skin should feel silky soft. The silky feeling is your smooth skin without soap curd or residue. When bathing in hard water, this soap residue is normally left behind. The soap curd that left a visible ring around your bathtub was also left on your skin. The same difference is applied when using shampoo.

Reduce or eliminate the use of fabric softeners:

Fabrics washed in hard water retain soap curd or residue, making them crackle when removed from the dryer or stiff if air dried. It is necessary to use fabric softeners when washing your clothes in hard water to help keep them soft.

When washing with soft water, you can reduce the amount of fabric softener used in your laundry or eliminate it altogether.

Take special precautions with automatic dishwashers:

Soft water, when combined with caustic phosphates in some dishwasher detergents and very high temperatures in the dry cycle, can etch dishes and glassware. To prevent this from happening, use the “no heat” dry cycle on your dishwasher.

Use the minimum amount of good quality, low phosphate dishwasher detergent needed to clean your dishes. This may be as little as 20% of the amount recommended by the appliance manufacturer or dishwasher detergent container. Wash good china and crystal by hand.

Special care for plants and fish:

Depending on your water hardness level, the amount of rainfall and how often you water your garden, you could use soft water for outside watering, but why waste your soft water?

Water your garden, shrubs and outside plants from an outside hard water tap or put your SuperSoft into by-pass before watering. See the “By-Pass” section on page 13 for instructions on how to do this. Many house plants can be watered with soft water although some can be very sensitive to the elevated level of sodium ions in soft water. You may prefer to water with hard water or water from a Kinetico drinking water filter.

Fish accustomed to hard water may have trouble with an abrupt change to soft water. Make the transition gradually over a period of 7-14 days by combining hard and soft water, until the tank contains 100% soft water. As soon as you start using soft water, you should notice your fish tank will stay cleaner for longer.

Drinking water:

The process of softening water adds a small amount of sodium into the water. When a person is on a low sodium diet, all possible sources of sodium should be evaluated in relation to the limit set by your doctor.

To enhance your drinking water, you may wish to consider using a Kinetico drinking water product. It will significantly improve the quality of your coffee, tea, cold drinks and water used for cooking and baking.

Please contact Kinetico for further information regarding our range of filtered drinking water solutions.

Maintaining your water softener

The SuperSoft provides you with quality water without requiring extensive maintenance. Minor, routine maintenance is necessary to keep your softener working properly. Should you have any questions or need any assistance, contact your local stockist.

1 Adding salt:

The SuperSoft is designed to accommodate two 4kg blocks of salt in the front compartment although a good quality tablet salt can be used if desired. The water level will normally sit around 5cm above the salt grid and in contact with the salt. It is normal for one block to dissolve quicker than the other.

IMPORTANT:

Never use rock or granular salt in your system. It contains impurities that can interfere with performance.

2 Manual regeneration:

If your salt storage tank does run out, you will need to add salt then manually regenerate your water softener. Please note, you should wait at least 3 hours after adding the salt before you regenerate the unit. If you prefer, you can wait for the system to automatically regenerate, although you may have hard water in the meantime.

To manually regenerate your system, using a Phillips head screwdriver, push down on the actuator and slowly turn **CLOCKWISE** until the actuator has advanced the indicator dot to the “BRINE” position, see **Figure 4** (page 11). You should hear at least 5 “clicks” while turning the actuator before the indicator dot reaches the “BRINE” position. At this point you will hear water flowing to the drain. This indicates that you have successfully initiated a regeneration. Repeat the procedure for manual regeneration after the water flow stops (approximately 11 minutes) to be sure both resin tanks are regenerated.

NOTE:

If you do not hear a flow of water running to drain, please contact your local stockist.

NOTE:

If your hot water tank or loft storage tank has filled with hard water, it may take several days for it to empty completely and for your water to feel soft again.

IMPORTANT: Never turn the actuator anti-clockwise.

3 Cold weather protection:

If your SuperSoft is installed outside or in an area that is not heated, you may want to take precautionary measures to prevent damage to your unit from freezing. Kinetico offer cabinets specifically designed to protect your softener from freezing temperatures. Please call your local dealer for more information.

NOTE:

The warranty does not cover damage caused to your system due to freezing. If you have any questions about your SuperSoft, or you suspect that your system isn't working properly, contact your local stockist.

4 **By-pass:**

There may be times when you need to shut off the water supply to your entire house.

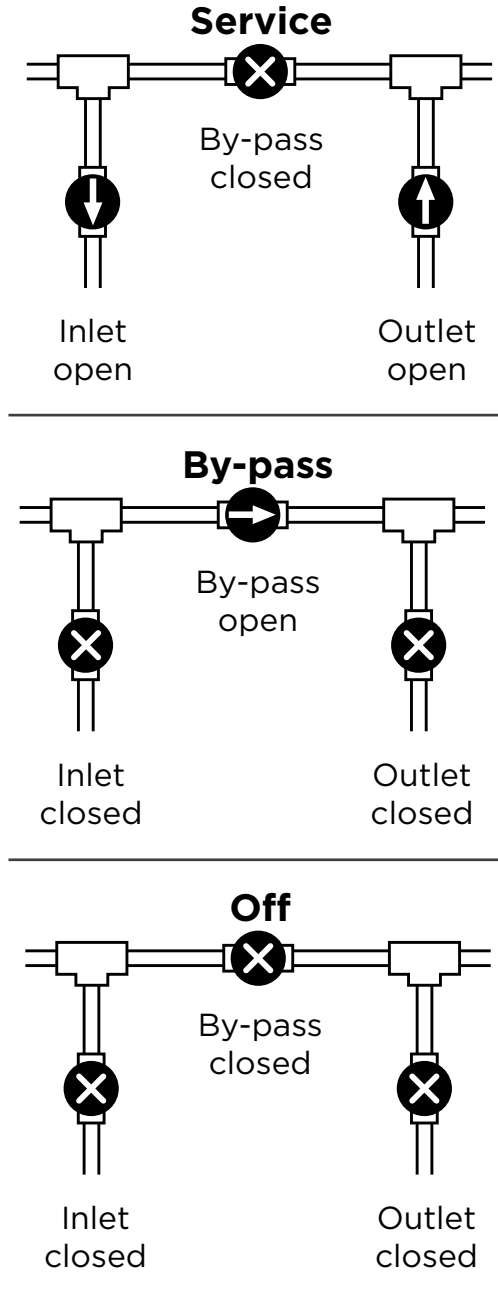
To do this, set the by-pass valve to the “OFF” position, see **Figure 5**. No water will flow through the house. To restart the water, set the by-pass valve to the “SERVICE” position.

You may put the softener into by-pass at any time, if necessary, by putting the by-pass valve into the “BY-PASS” position. You will still get water throughout the house, however all of the water will be untreated. To return the softener to service, set the by-pass valve to the “SERVICE” position.

NOTE:

By-pass styles vary and yours may not be as described. Contact your local stockist for further assistance.

Figure 5:



Maintenance tips & FAQs

My system seems to be regenerating more frequently, is this normal?

Your SuperSoft is demand operated and therefore adjusts to your water usage. If you do not think that your water usage has increased due to extra house guests, additional laundry or for any other reason, check for leaking plumbing, dripping taps or running toilets, all of which can contribute to more frequent regenerations.

My water doesn't seem soft. How can I be sure that my system is regenerating properly?

Be sure that the water supply to the softener is not by-passed. Follow the instructions on page 12 to manually regenerate the softener. If the unit does not begin advancing to the next regeneration automatically, please contact your local stockist for further assistance.

I can hear my SuperSoft system running or regenerating during the day. My old softener only used to run at night. Is this normal?

Single tank, electric water softeners tend to be set to regenerate at night because of the unavailability of soft water during the regeneration process. Unlike traditional water softeners, this system will operate based on your water usage, without timers or electronics.

Your system regenerates whenever necessary, at any time of day. The twin cylinder design allows one tank to provide treated water while the other regenerates so you will never be without soft water.

If at any time you feel your SuperSoft requires a service, put the system in by-pass and call your local stockist.

Specifications

Meter Disc	1	2	3	4	5	6	7	8
Max hardness (in mg/L)	63	125	186	246	305	362	419	474
Litres between regenerations	1961	980	654	490	392	327	280	245

Media Tank Size	6" x 13"
Cabinet Dimensions @ base	H 495mm x D 475mm x W 205mm
Resin per tank	4.5 litres
Tank Freeboard	Packed
Salt used per cycle	0.3 kg
Regeneration Time	12 minutes
Service Flow Rate @ 15 psi drop	HE = 25 l/m HF = 33 l/m
Service Flow Rate @ 30 psi drop	HE = 25 l/m HF = 33 l/m
Backwash Rate	1.8 l/m
Resin Type	Fine mesh
Pipe connections - in/out	3/4"
Min./Max. Operating Pressure	12/120 PSI (0.83 BAR/8.3 BAR)
Min./Max. Operating Temperature	1.7°C - 35°C
Minimum Operating Flow	1.1 l/m
Water used per cycle	23 litres



Kinetico UK Limited Bridge House, Park Gate Business Centre, Chandlers Way, Park Gate, Hampshire SO31 1FQ

T: 01489 566 976

E: info@kinetico.co.uk

W: kinetico.co.uk

© 2020 Kinetico UK Limited

Kinetico reserves the right to amend details or specifications without notice. All trademarks are registered to Kinetico Incorporated, Newbury, Ohio.